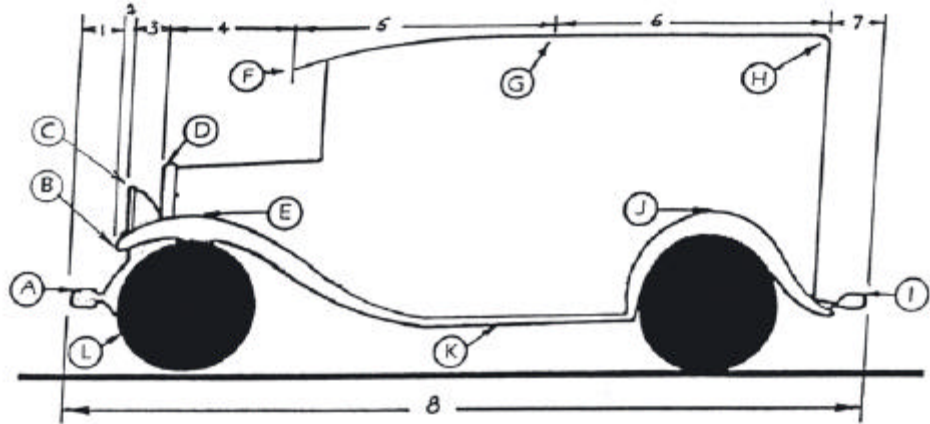




**DIMENSION SHEET  
DEPOT HACK**



**Lengths - Measured Horizontally**

- # 1 Front of car to front of fender \_\_\_\_\_
- # 2 Front of fender to front of headlight \_\_\_\_\_
- # 3 Front of headlight to front of hood \_\_\_\_\_
- # 4 Front of hood to front edge of roof \_\_\_\_\_
- # 5 Front of roof to highpoint of roof \_\_\_\_\_
- # 6 Highpoint of roof to rear of roof \_\_\_\_\_
- # 7 Rear of roof to rear of bumper \_\_\_\_\_
- #8 Overall length \_\_\_\_\_

If you have measured correctly, the total of #1 through #7 should equal #8

Total                     

**Heights - Measured from Ground**

- HA Height at "A" \_\_\_\_\_
- HB Height at "B" \_\_\_\_\_
- HC Height at "C" \_\_\_\_\_
- HD Height at "D" \_\_\_\_\_
- HE Height at "E" \_\_\_\_\_
- HF Height at "F" \_\_\_\_\_
- HG Height at "G" \_\_\_\_\_
- HH Height at "H" \_\_\_\_\_
- HI Height at "I" \_\_\_\_\_
- HJ Height at "J" \_\_\_\_\_
- HK Road Clearance \_\_\_\_\_

**Widths, Measured Side to Side at Points Shown**

- WA Width across bumpers at "A" \_\_\_\_\_
- WB Width across fenders at "B" \_\_\_\_\_
- WC Width across headlights at "C" \_\_\_\_\_
- WD Width across hood at "D" \_\_\_\_\_
- WE Width across fenders at "E" \_\_\_\_\_
- WF Width across roof at "F" \_\_\_\_\_
- WG Width across roof at "G" \_\_\_\_\_
- WH Width across roof at "H" \_\_\_\_\_
- WI Width across rear bumper \_\_\_\_\_
- WL Width across tires at "L" \_\_\_\_\_

**Vehicle Information**

A photo of the vehicle will help us make the pattern. The photo can be returned if requested.

YEAR \_\_\_\_\_ MODEL \_\_\_\_\_

MAKE \_\_\_\_\_ BODY STYLE \_\_\_\_\_

NAME \_\_\_\_\_

Daytime phone \_\_\_\_\_

Date of order \_\_\_\_\_