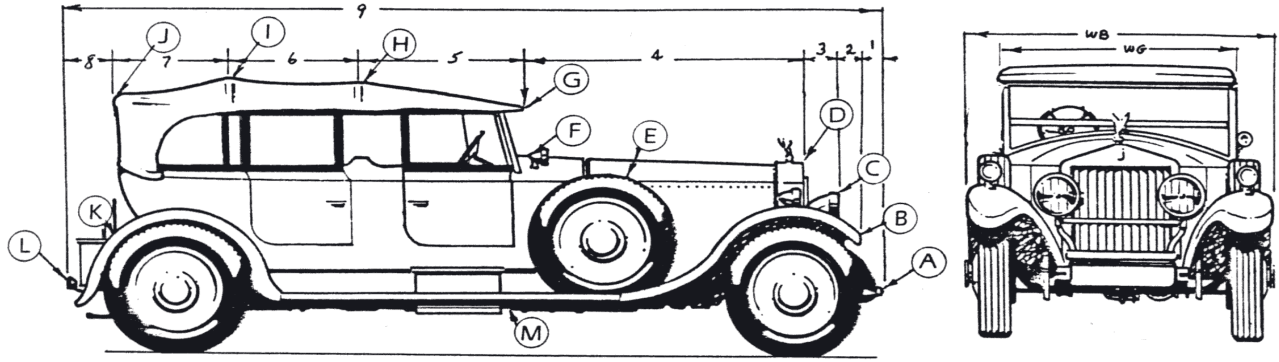




## DIMENSION SHEET PHAETON WITHOUT TRUNK



<b>Lengths - Measured Horizontally</b>		<b>Heights - Measured from Ground</b>	
# 1	Front of car to forward tip of fender	HA	Height at "A"
# 2	Forward tip of fender to front of headlights	HB	Height at "B"
# 3	Front of headlights to front of cowl	HC	Height at "C"
# 4	Front of cowl to front of roof	HD	Height at "D"
# 5	Front of roof to point "H" of roof	HE	Height at "E"
# 6	Point "H" of roof to point "I" of roof	HF	Height at "F"
# 7	Point "I" of roof to rear of roof	HG	Height at "G"
# 8	Rear of roof to rear of car	HH	Height at "H"
# 9	Overall length of car	HI	Height at "I"
<b>If you have measured correctly, the total of #1 through #8 should equal #9</b>		HJ	Height at "J"
Total		HL	Height at "L"
		HM	Road Clearance

### Widths, Measured Side to Side at Points Shown

<b>WA</b>	Width of car at "A"	<b>WG</b>	Width at front of roof
<b>WB</b>	Width of front of car at "B"	<b>WH</b>	Width of roof at point "H"
<b>WC</b>	Width of headlights at "C"	<b>WI</b>	Width of roof at point "I"
<b>WD</b>	Width across hood at "D"	<b>WJ</b>	Width at rear of roof
<b>WE</b>	Width across sidemounts, if installed	<b>WK</b>	Width across rear fenders
<b>WF</b>	Width at base of windshield	<b>WL</b>	Width of car at rear

### Vehicle Information

A photo of the vehicle will help us make the pattern. The photo can be returned if requested.

YEAR \_\_\_\_\_ MODEL \_\_\_\_\_

MAKE \_\_\_\_\_ BODY STYLE \_\_\_\_\_

NAME \_\_\_\_\_

Daytime phone \_\_\_\_\_

Date of order \_\_\_\_\_