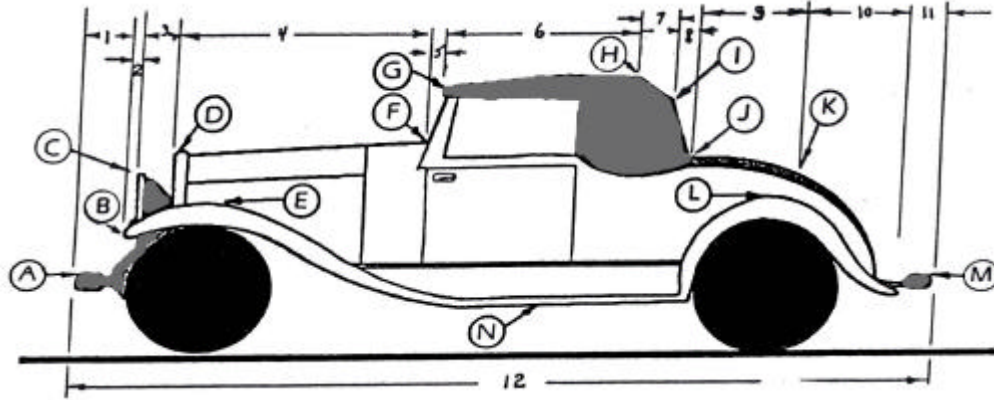




DIMENSION SHEET - EARLY 30'S ROADSTER



Lengths - Measured Horizontally		Heights - Measured from Ground	
# 1	Front bumper to forward tip of fender	HA	Height at "A"
# 2	Forward tip of fender to front of headlights	HB	Height at "B"
# 3	Front of headlights to front of hood	HC	Height at "C"
# 4	Front of hood to base of windshield	HD	Height at "D"
# 5	Base of windshield to front of roof	HE	Height at "E"
# 6	Front of roof to highpoint of roof	HF	Height at "F"
# 7	Highpoint of roof to rear of roof	HG	Height at "G"
# 8	Rear of roof to base of rear window	HH	Height at "H"
# 9	Base of rear window to midpoint of trunk	HI	Height at "I"
# 10	Midpoint of trunk to rear of fender	HJ	Height at "J"
# 11	Rear tip of fender to bumper	HK	Height at "K"
(If measure correctly, #1 through #11 should equal #12) Total		HL	Height at "L"
# 12	Overall length of car, front to rear	HM	Height at "M"
		HN	Road Clearance

Widths, Measured Side to Side at Points Shown

WA	Width of front bumper at point "A"	WG	Width at front of roof
WB	Width of front of car at point "B"	WH	Width at highpoint of roof
WC	Width of headlights at point "C"	WI	Width at rear of roof
WD	Width of front of hood at point "D"	WJ	Width at base of rear window
WE	Width at highpoint of front fenders	WK	Width at midpoint of trunk
WF	Width at base of windshield	WL	Width at rear fenders
		WM	Width at rear bumpers

Vehicle Information

A photo of the vehicle will help us make the pattern. The photo can be returned if requested.

YEAR _____ MAKE _____

MODEL _____ BODY STYLE _____

NAME _____

Daytime phone _____

Date of order _____