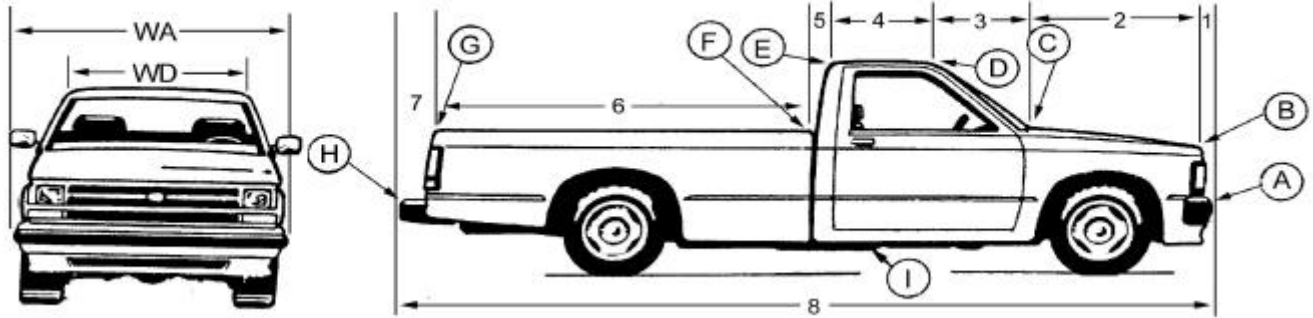




**DIMENSION SHEET - PICKUP TRUCK**



**Lengths - Measured Horizontally**

- # 1 Corner of front bumper to front of hood \_\_\_\_\_
- # 2 Front of hood to base of windshield \_\_\_\_\_
- # 3 Base of windshield to front of roof \_\_\_\_\_
- # 4 Front of roof to rear of roof \_\_\_\_\_
- # 5 Rear of roof to front of bed \_\_\_\_\_
- # 6 Front of bed to rear of bed \_\_\_\_\_
- # 7 Rear of bed to rear of bumper \_\_\_\_\_
- Total \_\_\_\_\_
- # 8 Overall length of pickup at corner of bumpers \_\_\_\_\_

**Heights - Measured from Ground**

- HA Height at "A" \_\_\_\_\_
- HB Height at "B" \_\_\_\_\_
- HC Height at "C" \_\_\_\_\_
- HD Height at "D" \_\_\_\_\_
- HE Height at "E" \_\_\_\_\_
- HF Height at "F" \_\_\_\_\_
- HG Height at "G" \_\_\_\_\_
- HH Height at "H" \_\_\_\_\_
- HI Height at "I" \_\_\_\_\_

**If you have measured correctly, the total of # 1 through # 7 should be the same as # 8.**

**Widths, Measured Side to Side at Points Shown**

- WA Width of front bumper at point "A" \_\_\_\_\_
- WB Width of front of hood at point "B" \_\_\_\_\_
- WC Width of hood at windshield base, point "C" \_\_\_\_\_
- WD Width of roof at point "D" \_\_\_\_\_
- WE Width of roof at point "E" \_\_\_\_\_
- WF Width bed at front, point "F" \_\_\_\_\_
- WG Width of bed at rear, point "G" \_\_\_\_\_
- WH Width of rear bumper at "H" \_\_\_\_\_

Draw in any accessories, noting the measurements and location (example - sun visor, light bar, tool box, etc.)

**Vehicle Information**

A photo of the vehicle will help us make the pattern. The photo can be returned if requested.

MAKE \_\_\_\_\_

MODEL \_\_\_\_\_

YEAR \_\_\_\_\_

NAME \_\_\_\_\_

Daytime phone \_\_\_\_\_

Date of order \_\_\_\_\_

Short bed

Long bed

Extra or extended cab