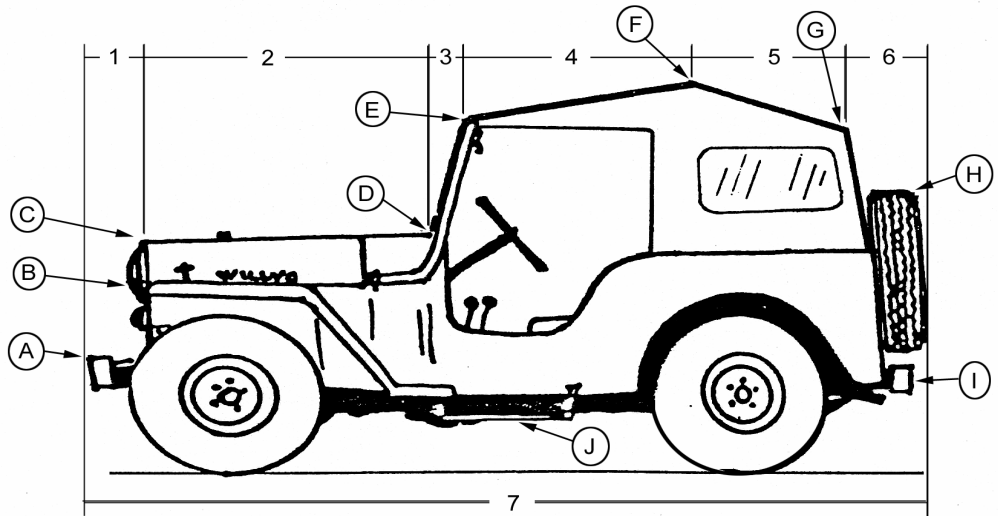




Jeep®
with Top &
Rear Spare



- Lengths - Measured Horizontally**
- # 1 Front of front bumper to front of hood _____
 - # 2 Front of hood to base of windshield _____
 - # 3 Base of windshield to front of roof _____
 - # 4 Front of roof to highpoint of roof _____
 - # 5 Highpoint of roof to rear of roof _____
 - # 6 Rear of roof to rear edge of spare _____
 - # 7 Overall length, front to rear _____

- Heights - Measured from Ground**
- HA Height to top of front bumper _____
 - HB Height at top of front fender _____
 - HC Height at front of hood _____
 - HD Height at base of windshield _____
 - HE Height at front of roof _____
 - HF Height at highpoint of of roof _____
 - HG Height at rear of roof _____
 - HH Height at rear of spare tire _____
 - HI Height at top of rear bumper _____
 - HJ Ground clearance _____

If you have measured correctly, the sum of # 1 through # 6 should equal # 7.

- Widths, Measured Side to Side at Points Shown**
- WA Width at front bumper _____
 - WB Width at front of fenders _____
 - WC Width at front of hood _____
 - WD Width at base of windshield _____
 - WE Width of roof at front _____
 - WF Width of roof at highpoint _____
 - WG Width of roof at rear _____
 - WH Width at rear of spare _____
 - WI Width at rear bumper _____

Draw in any options / accessories on this vehicle and note their dimensions - winches, light bars, etc.

Vehicle Information

YEAR _____

MAKE _____

MODEL _____

Name _____

Daytime phone _____

Date of order _____

A photo of the vehicle will help us make the pattern. The photo can be returned if requested.