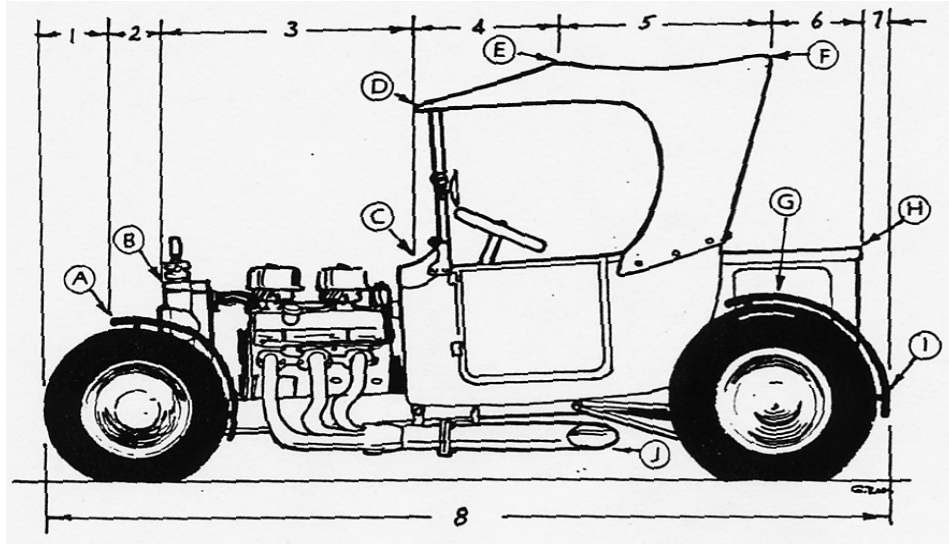




1923 Ford
"T" Bucket
Roadster,
with top &
no rods or
straps to
windshield



- Lengths - Measured Horizontally**
- # 1 Front of car to front of fender _____
 - # 2 Front of fender to front of hood _____
 - # 3 Front of hood to front of roof _____
 - # 4 Front of roof to highpoint of roof _____
 - # 5 Highpoint of roof to rear of roof _____
 - # 6 Rear of roof to rear of box _____
 - # 7 Rear of box to rear of fender _____
 - # 8 Overall length, front to rear _____
- If you have measured correctly, the sum of # 1 through # 7 should equal # 8.**

- Heights - Measured from Ground**
- HA Height to top of front fender _____
 - HB Height to top of radiator _____
 - HC Height of cowl at base of roof _____
 - HD Height at front of roof _____
 - HE Height at highpoint of roof _____
 - HF Height at rear of roof _____
 - HG Height at top of rear fender _____
 - HH Height at rear of box _____
 - HI Height at rear of car _____
 - HJ Ground clearance _____

Widths, Measured Side to Side at Points Shown

- WA Width of car at front fender _____
- WB Width across front hood _____
- WC Width across cowl at base of roof _____
- WD Width of roof at front _____
- WE Width of roof at highpoint _____
- WF Width of roof at rear _____
- WG Width of car at rear fenders _____
- WH Width of box at rear _____
- WI Width of car at rear _____

Vehicle Information

A photo of the vehicle will help us make the pattern. The photo can be returned if requested.

MAKE _____

MODEL _____

YEAR _____

NAME _____

Daytime phone _____

Date of order _____