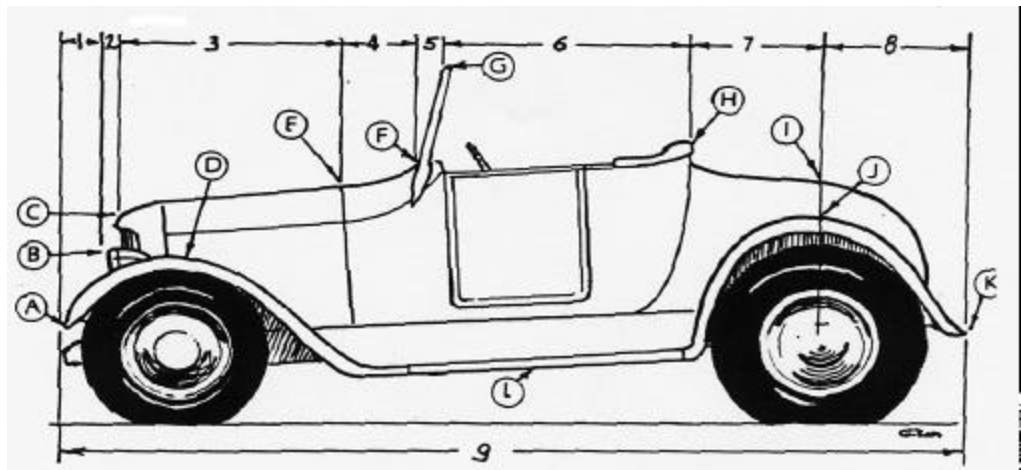




**Ford "T"
Roadster,
no top,
no bumpers,
with fenders**



- Lengths - Measured Horizontally**
- # 1 Front of car to front of headlight _____
 - # 2 Front of headlight to front of hood _____
 - # 3 Front of hood to rear of hood _____
 - # 4 Rear of hood to base of windshield _____
 - # 5 Front of windshield to top of windshield _____
 - # 6 Top of windshield to front of trunk _____
 - # 7 Front of trunk to center of rear axle _____
 - # 8 Center of rear axle to rear of car _____
 - # 9 Overall length of car, front to rear _____

If you have measured correctly, the sum of # 1 through # 8 should equal # 9.

- Heights - Measured from Ground**
- HA Height at front of car _____
 - HB Height at top of headlights _____
 - HC Height at front of hood _____
 - HD Height at highpoint of fender _____
 - HE Height of hood at point "E" _____
 - HF Height at base of windshield _____
 - HG Height at top of windshield _____
 - HH Height at front of trunk _____
 - HI Height of trunk at point "I" _____
 - HJ Height at top of rear fender _____
 - HK Height at rear of car _____
 - HL Road Clearance _____

Widths, Measured Side to Side at Points Shown

- WA Width of car at front fender _____
- WB Width across front headlights _____
- WC Width of hood at front _____
- WD Width of car at top of front fender _____
- WE Width of car at rear of hood _____
- WF Width at base of windshield _____
- WG Width of windshield at top _____
- WH Width of trunk at front _____
- WI Width of trunk at point "I" _____
- WJ Width of car at rear fenders _____
- WK Width of car at rear _____

Vehicle Information

A photo of the vehicle will help us make the pattern. The photo can be returned if requested.

MAKE _____

MODEL _____

YEAR _____

NAME _____

Daytime phone _____

Date of order _____