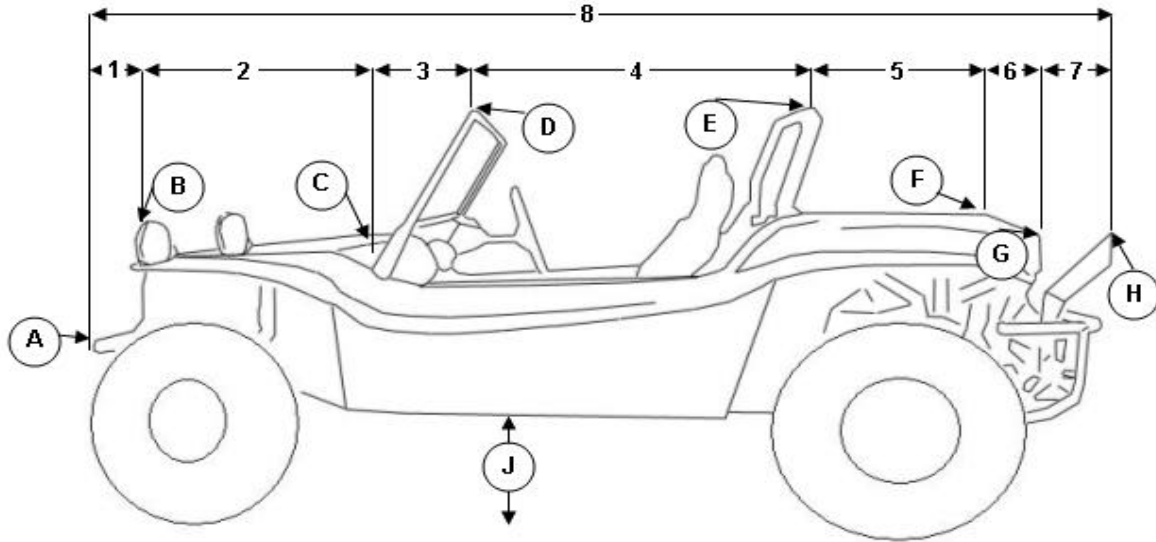




## DIMENSION SHEET - DUNE BUGGY



### Lengths - Measured Horizontally

- # 1 Front bumper to top of headlight \_\_\_\_\_
- # 2 Top of headlight to base of windshield \_\_\_\_\_
- # 3 Base of windshield to top of windshield \_\_\_\_\_
- # 4 Top of windshield to top of rear roll bar \_\_\_\_\_
- # 5 Top of rear roll bar to top of rear body \_\_\_\_\_
- # 6 Top of rear body to end of rear body \_\_\_\_\_
- # 7 End of rear body to end of tailpipe \_\_\_\_\_
- # 8 Overall length \_\_\_\_\_

### Heights - Measured from Ground

- HA Height at front rail or bumper \_\_\_\_\_
- HB Height at top of headlight \_\_\_\_\_
- HC Height at base of windshield \_\_\_\_\_
- HD Height at top of windshield \_\_\_\_\_
- HE Height at top of rear roll bar \_\_\_\_\_
- HF Height at point "F" \_\_\_\_\_
- HG Height at point "G" \_\_\_\_\_
- HH Height at top of tailpipe \_\_\_\_\_
- HJ Road clearance \_\_\_\_\_

If you have measured correctly, #1 thru #7 should be the same as #8

### Widths, Measured Side to Side at Points Shown

- |  |   |
|--|---|
| <ul style="list-style-type: none"> <li>WA Width at front rail or bumper _____</li> <li>WB Width at top of headlights _____</li> <li>WC Width at base of windshield _____</li> <li>WD Width at top of windshield _____</li> </ul> | <ul style="list-style-type: none"> <li>WE Width at top of rear roll bar _____</li> <li>WF Width at point "F" _____</li> <li>WG Width at point "G" _____</li> <li>WH Width at point "H" _____</li> </ul> |
|--|---|

### Vehicle Information

A photo of the vehicle will help us make the pattern. The photo can be returned if requested.

YEAR \_\_\_\_\_  
 MAKE \_\_\_\_\_  
 MODEL \_\_\_\_\_  
 BODY \_\_\_\_\_

Name \_\_\_\_\_  
 Daytime phone \_\_\_\_\_  
 Date of order \_\_\_\_\_