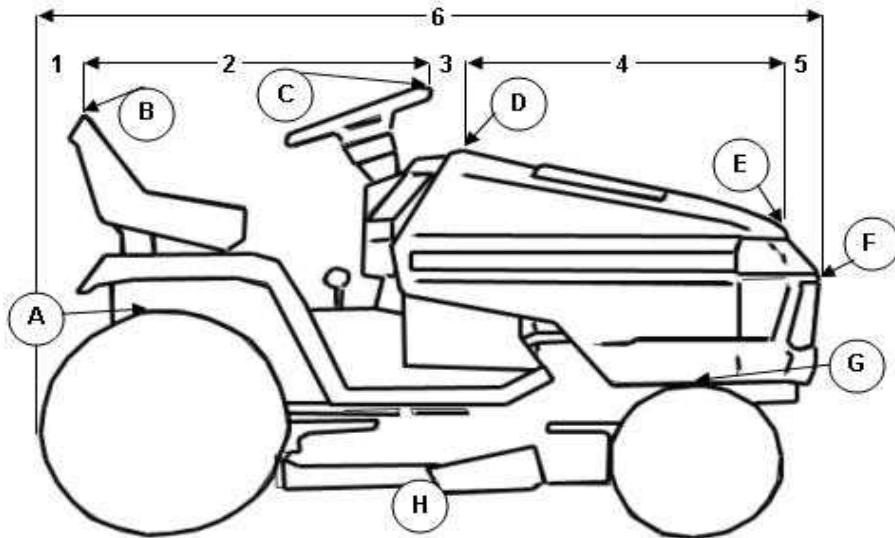




DIMENSION SHEET - GARDEN TRACTOR



- Lengths - Measured Horizontally**
- # 1 Rear of tractor to seat backrest _____
 - # 2 Seat backrest to front of steering wheel _____
 - # 3 Front of steering wheel to rear of hood _____
 - # 4 Rear of hood to front of hood _____
 - # 5 Front of hood to front of tractor _____
 - # 6 Overall length _____
- If you have measured correctly, the sum of # 1 through # 5 should equal # 6.**

- Heights - Measured from Ground**
- HA Height at top of rear tire _____
 - HB Height at top of seat backrest _____
 - HC Height at front of steering wheel _____
 - HD Height at rear of hood _____
 - HE Height at front of hood _____
 - HF Height at front of tractor _____
 - HG Height at top of front tire _____
 - HH Ground clearance _____

Widths, Measured Side to Side at Points Shown

- | | |
|--|---|
| <ul style="list-style-type: none"> WA Width at rear tires _____ WB Width of seat backrest _____ WC Width of steering wheel _____ WD Width of hood at point "D" _____ | <ul style="list-style-type: none"> WE Width at front of hood _____ WF Width at front of tractor _____ WG Width at front tires _____ |
|--|---|

Tractor Information

YEAR _____

NAKE _____

MODEL _____

NAME _____

Daytime phone _____

Date of order _____

A photo of the tractor will help us make the pattern. The photo can be returned if requested.