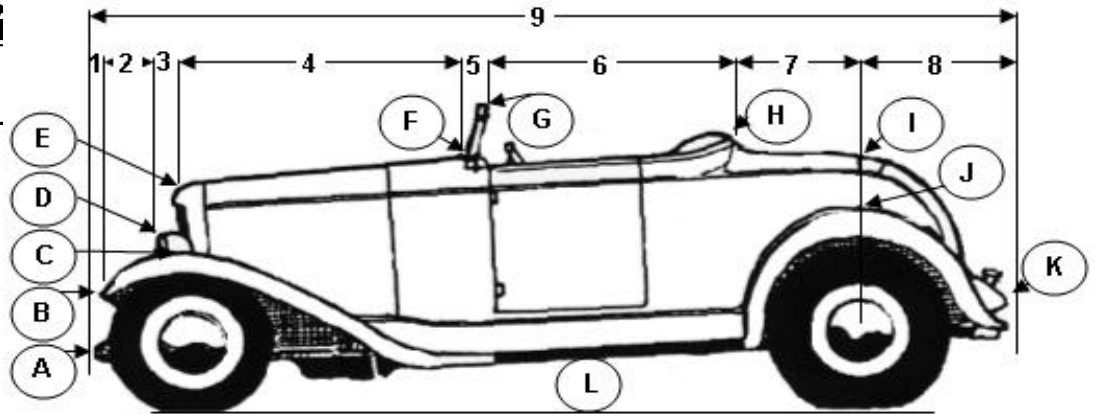




**DIMENSION SHEET**

**STREET ROD  
ROADSTER  
WITH FENDERS**



- Lengths - Measured Horizontally**
- # 1 Front of car to front of fender \_\_\_\_\_
  - # 2 Front of fender to front of headlight \_\_\_\_\_
  - # 3 Front of headlight to front of hood \_\_\_\_\_
  - # 4 Front of hood to base of windshield \_\_\_\_\_
  - # 5 Base of windshield to top of windshield \_\_\_\_\_
  - # 6 Top of windshield to front of trunk \_\_\_\_\_
  - # 7 Front of trunk to center of rear axle \_\_\_\_\_
  - # 8 Center of rear axle to rear of car \_\_\_\_\_
  - # 9 Overall length of car, front to rear \_\_\_\_\_

**If you have measured correctly, the sum of # 1 through # 8 should equal # 9.**

- Heights - Measured from Ground**
- HA Height at front of car \_\_\_\_\_
  - HB Height at front of fender \_\_\_\_\_
  - HC Height at top of front fender \_\_\_\_\_
  - HD Height at top of headlight \_\_\_\_\_
  - HE Height at front of hood \_\_\_\_\_
  - HF Height at base of windshield \_\_\_\_\_
  - HG Height at top of windshield \_\_\_\_\_
  - HH Height at front of trunk \_\_\_\_\_
  - HI Ht of trunk at center of rear axle \_\_\_\_\_
  - HJ Height of rear fender \_\_\_\_\_
  - HK Height at rear of car \_\_\_\_\_
  - HL Road clearance \_\_\_\_\_

**Widths, Measured Side to Side at Points Shown**

- WA Width of car at front \_\_\_\_\_
- WB Width across front fenders \_\_\_\_\_
- WC Width of car at top of fenders \_\_\_\_\_
- WD Width of car at top of headlights \_\_\_\_\_
- WE Width of car at front of hood \_\_\_\_\_
- WF Width of car at base of windshield \_\_\_\_\_
- WG Width of windshield at top \_\_\_\_\_
- WH Width of trunk at front \_\_\_\_\_
- WI Width of car at center of rear axle \_\_\_\_\_
- WJ Width of car at rear fenders \_\_\_\_\_
- WK Width of car at rear \_\_\_\_\_

**Vehicle Information**

YEAR \_\_\_\_\_

MAKE \_\_\_\_\_

MODEL \_\_\_\_\_

Name \_\_\_\_\_

Daytime phone \_\_\_\_\_

Date of order \_\_\_\_\_

**A photo of the vehicle will help us make the pattern. The photo can be returned if requested.**